

RISHOCAST

Instrument voltage transformer RPG-103N

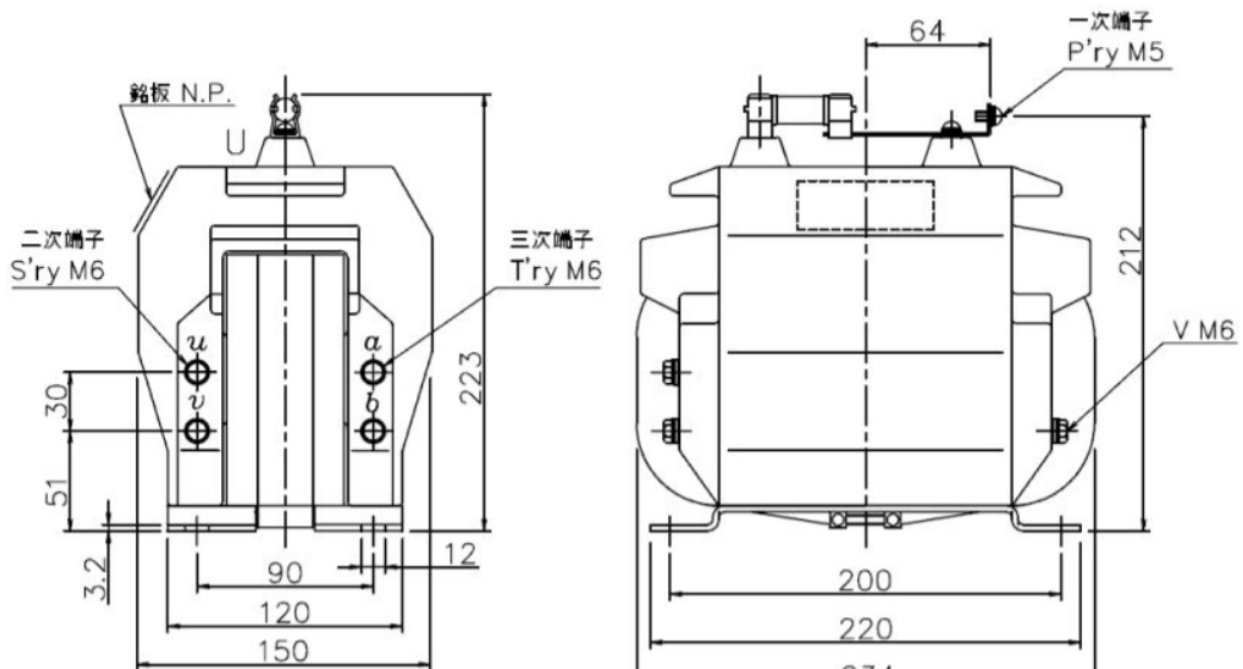
- Single phase / Earthed
- For Metering / Protection
- Indoor use



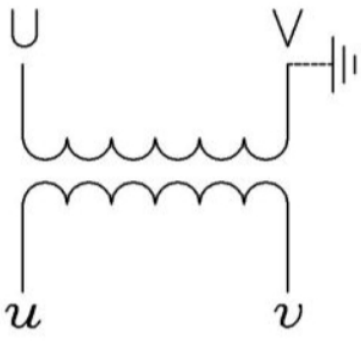
Type	Ratio (V)	Insulation level	Over voltage factor	Applicable standard of production	
				IEC-186	IEC 60044-2 IEC 61869-3
RPG-103N	$\frac{220}{\sqrt{3}} / \frac{110}{\sqrt{3}} / \frac{110}{3} \left(\frac{190}{3} \right)$ $\frac{440}{\sqrt{3}} / \frac{110}{\sqrt{3}} / \frac{110}{3} \left(\frac{190}{3} \right)$	0.72 / 3 / -	1.2 (Continuous) 1.9 (30s)	200 / 200VA 1.0 / 3P	200 / 200VA 1.0 / 3P

Primary fuse specification			
Type	Rated current	Rated voltage	Breaking current
PC1	5V	500V	50kA

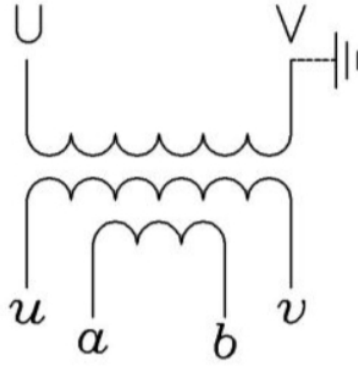
EVTs shall be disconnected from circuit of switchboard for withstand voltage test



Connection diagram



Secondary only



With tertiary