

RISHOCAST

Instrument voltage transformer RPG-41T / RTPG-41TB

- Single phase / Earthed
- For metering / Protection
- Indoor use

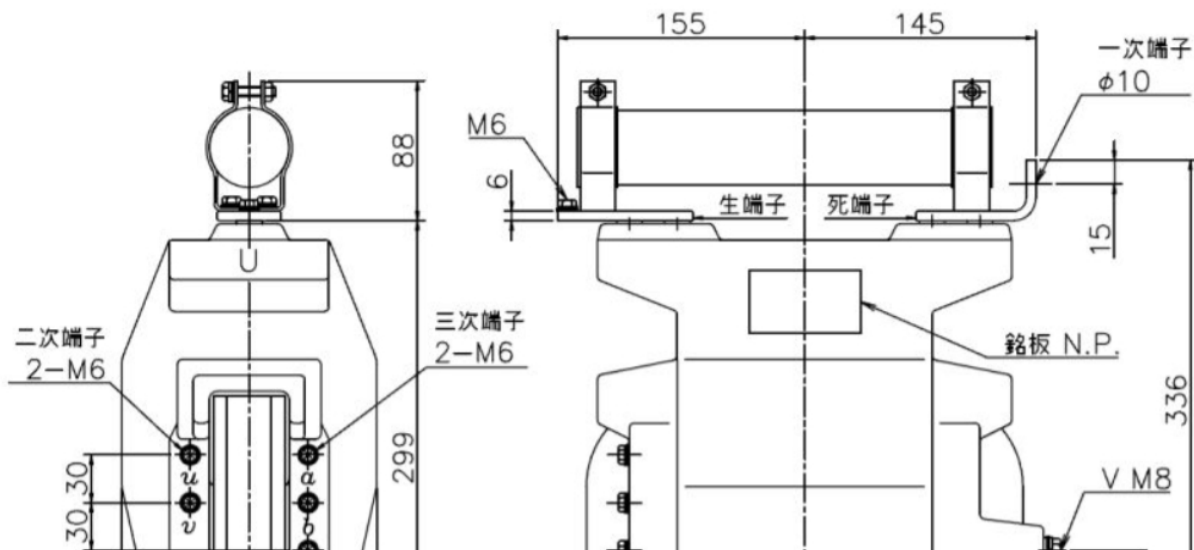


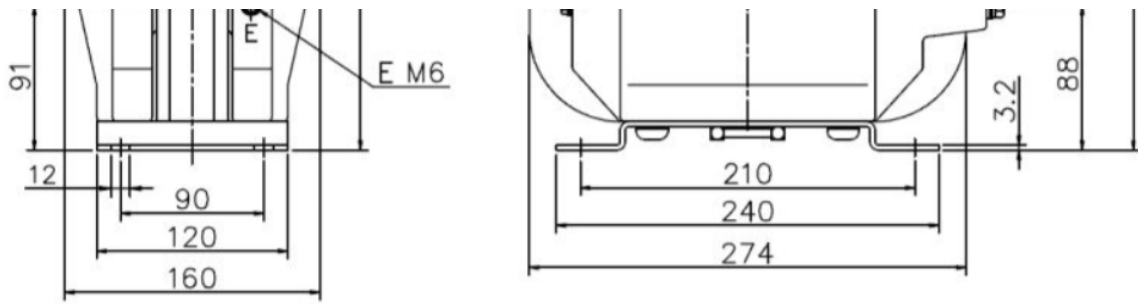
Type	Ratio	Insulation level	Over voltage factor	Applicable standard of production	
				IEC-186	IEC 60044-2 IEC 61869-3
RPG-41T	$\frac{11000}{\sqrt{3}} / \frac{110}{\sqrt{3}}$	12 / 28 / 75	1.2 (Continuous) 1.9 (30s)	200VA 1.0	—
RTPG-41TB				400VA 1.0	100VA 1.0

Type	Ratio	Insulation level	Over voltage factor	Applicable standard of production	
				IEC-186	IEC 60044-2 IEC 61869-3
RPG-41T	$\frac{11000}{\sqrt{3}} / \frac{110}{\sqrt{3}} / \frac{110}{3} \left(\frac{190}{3} \right)$	12 / 28 / 75	1.2 (Continuous) 1.9 (30s)	200 / 200VA 1.0 / 3P	—
RTPG-41TB				300 / 200VA 1.0 / 3P	100 / 100VA 1.0 / 3P

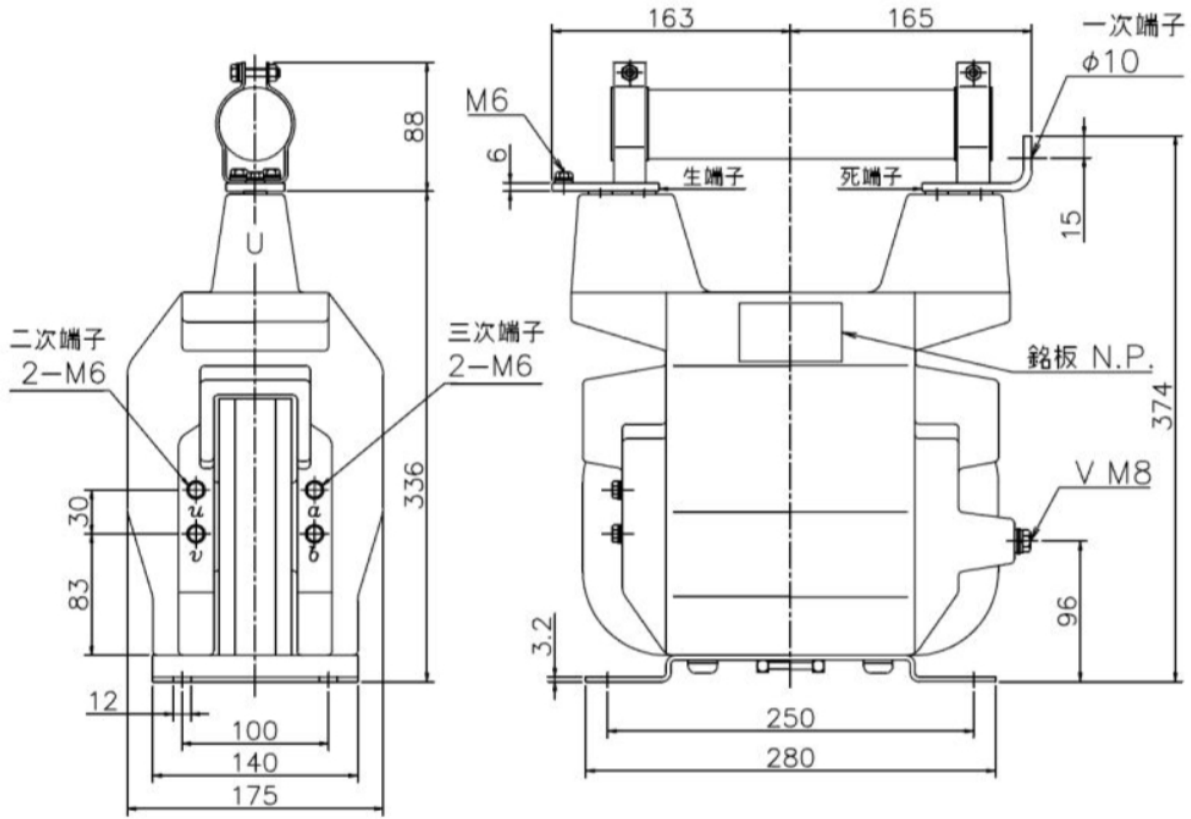
Primary fuse specification			
Type	Rated current	Rated voltage	Breaking current
PL-J	T1A	12kV	40kA

EVTs shall be disconnected from circuit of switchboard for withstand voltage test



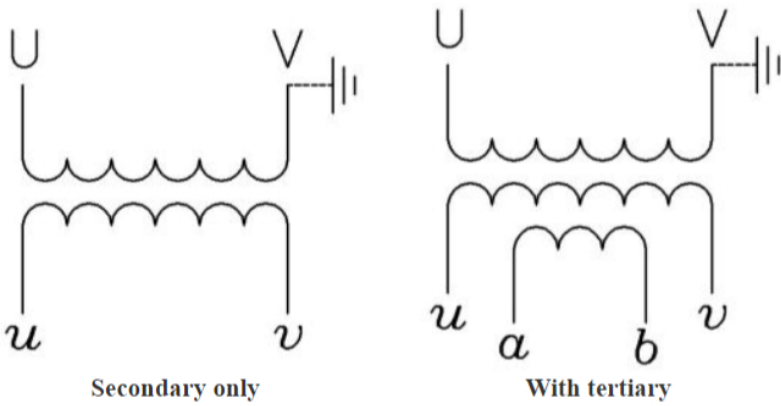


▲RPG-41T



▲RPG-41TB

Connection diagram



Secondary only

With tertiary