

RISHOCAST

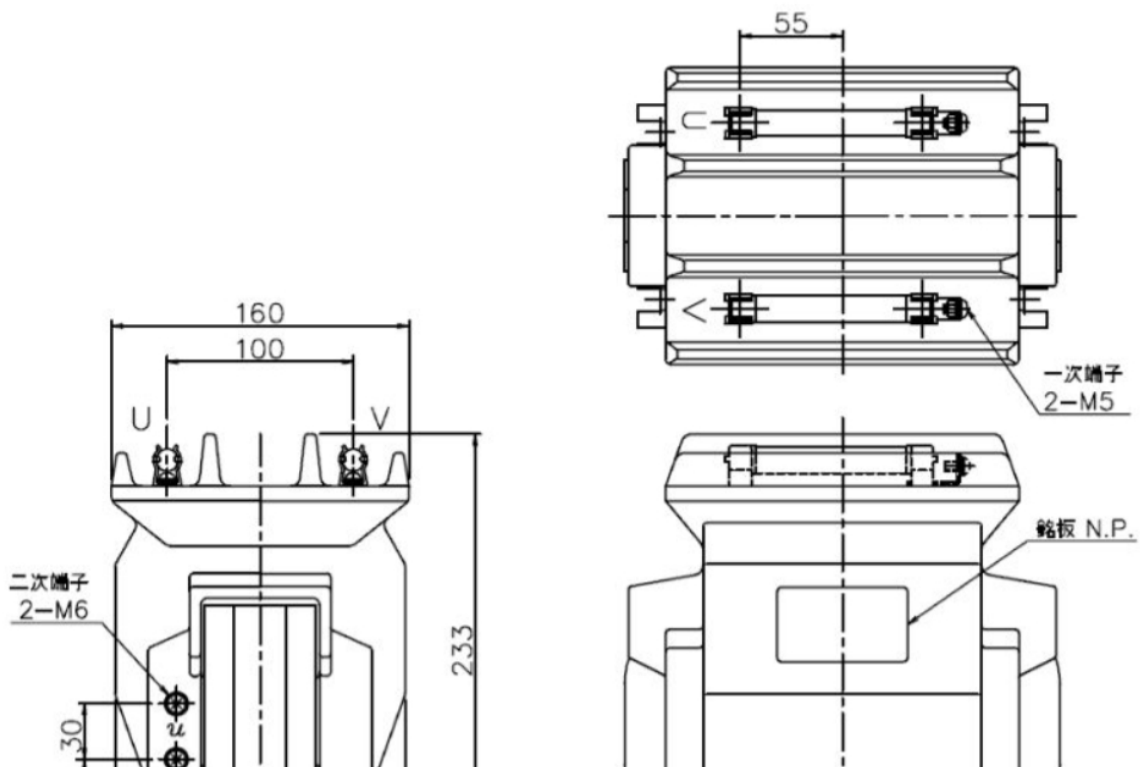
Instrument voltage transformer RT-310N / RT-610N / RT-320 / RT-620

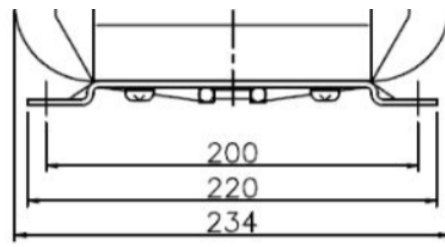
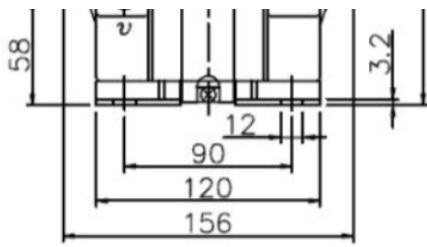
- Single phase / Unearthed
- For metering / Protection
- Indoor use



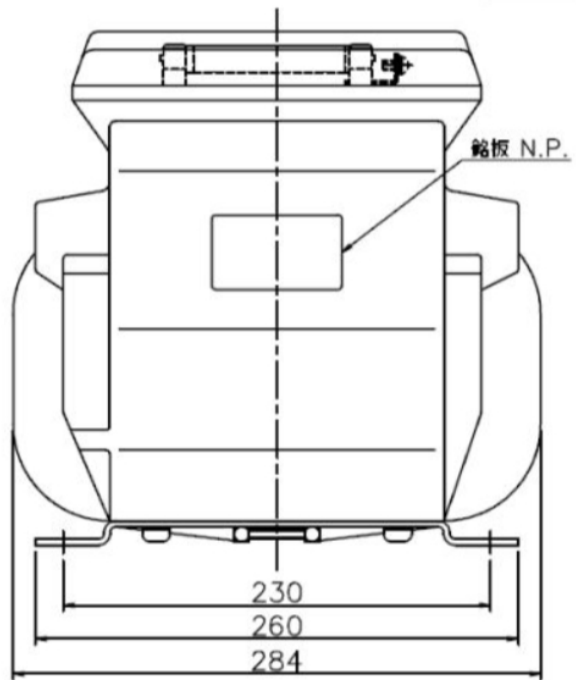
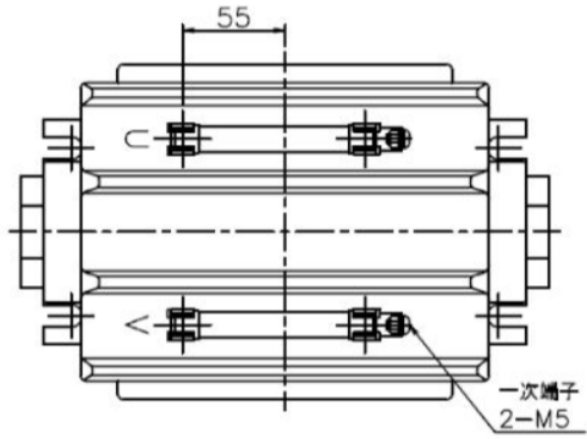
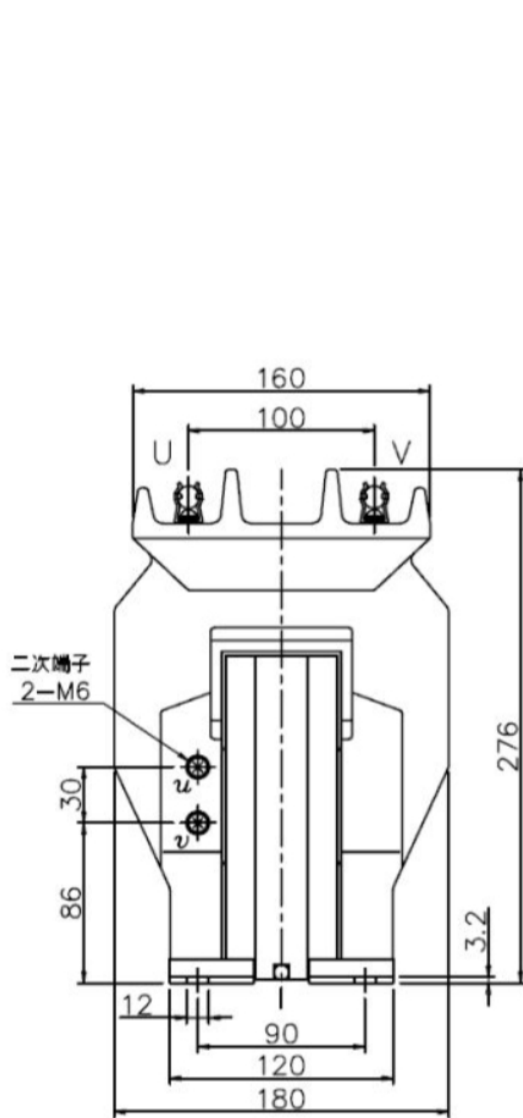
Type	Ratio	Insulation level	Over voltage factor	Applicable standard of production	
				IEC-186	IEC 60044-2 IEC 61869-3
RT-310N RT-320	3300 / 110V	7.2 / 20 / 60	1.2 (Continuous)	400VA 1.0	200VA 1.0
RT-610N RT-620	6600 / 110V			800VA 1.0	400VA 1.0

Primary fuse specification			
Type	Rated current	Rated voltage	Breaking current
PL-G	T1A	7.2 / 3.6kV	40kA





▲RT-310N / RT-610N



▲RT-320 / RT-620