

# RISHOCAST

## Instrument voltage transformer

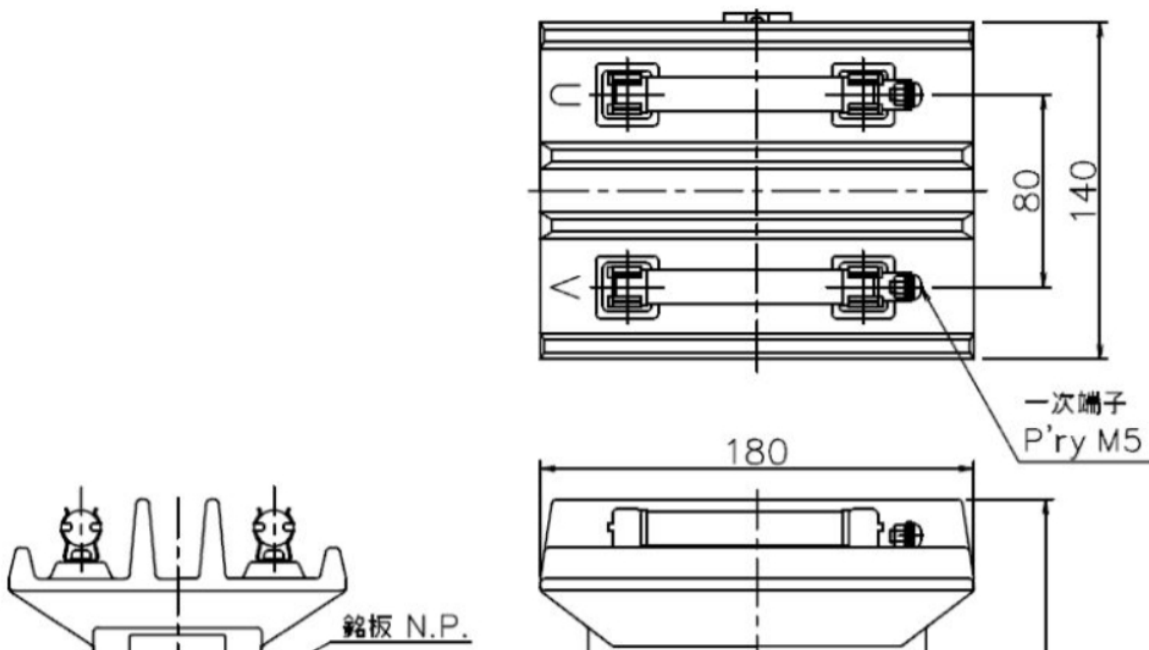
RP-611N / RP-612N / RP-612ND / RP-613N

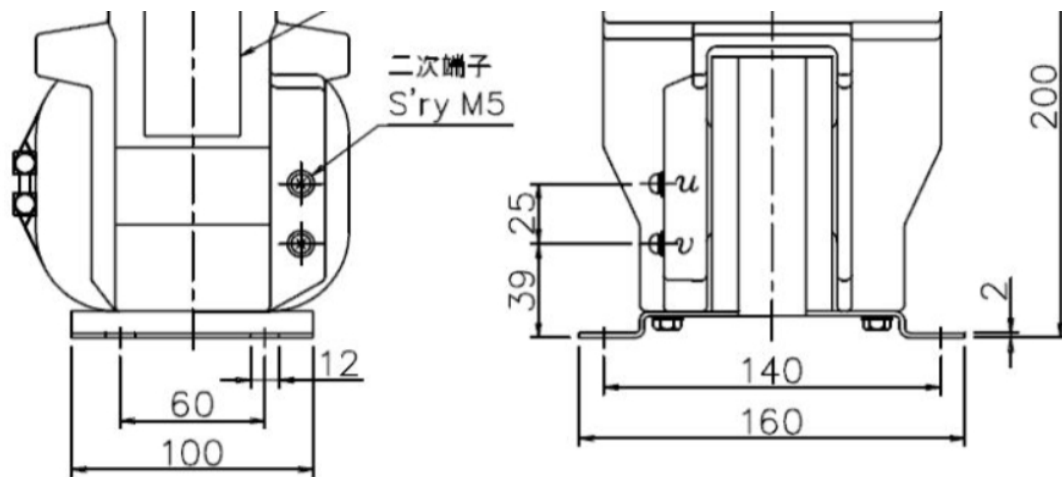
- Single phase / Unearthed
- For metering / Protection
- Indoor use



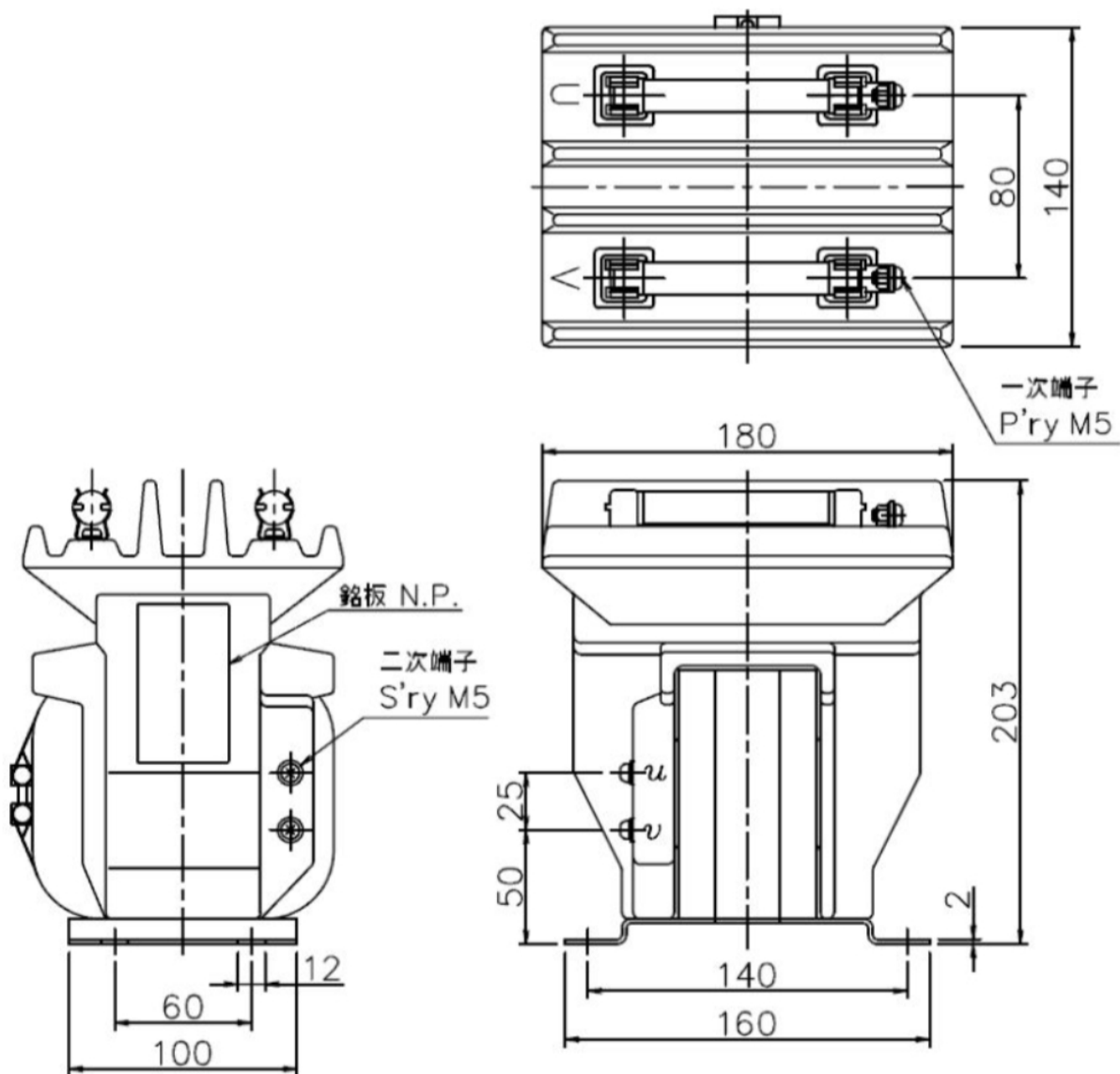
Type	Ratio (V)	Insulation level	Over voltage factor	Applicable standard of production	
				IEC-186	IEC 60044-2 IEC 61869-3
RP-611N	3300 / 110V 6600 / 110V	7.2 / 20 / 60	1.2 (Continuous)	50VA 1.0	—
RP-612N				100VA 1.0	100VA 1.0 (RP-612ND)
RP-613N				200VA 1.0	100VA 1.0

Primary fuse specification			
Type	Rated current	Rated voltage	Breaking current
PL-G	T1A	7.2 / 3.6kV	40kA

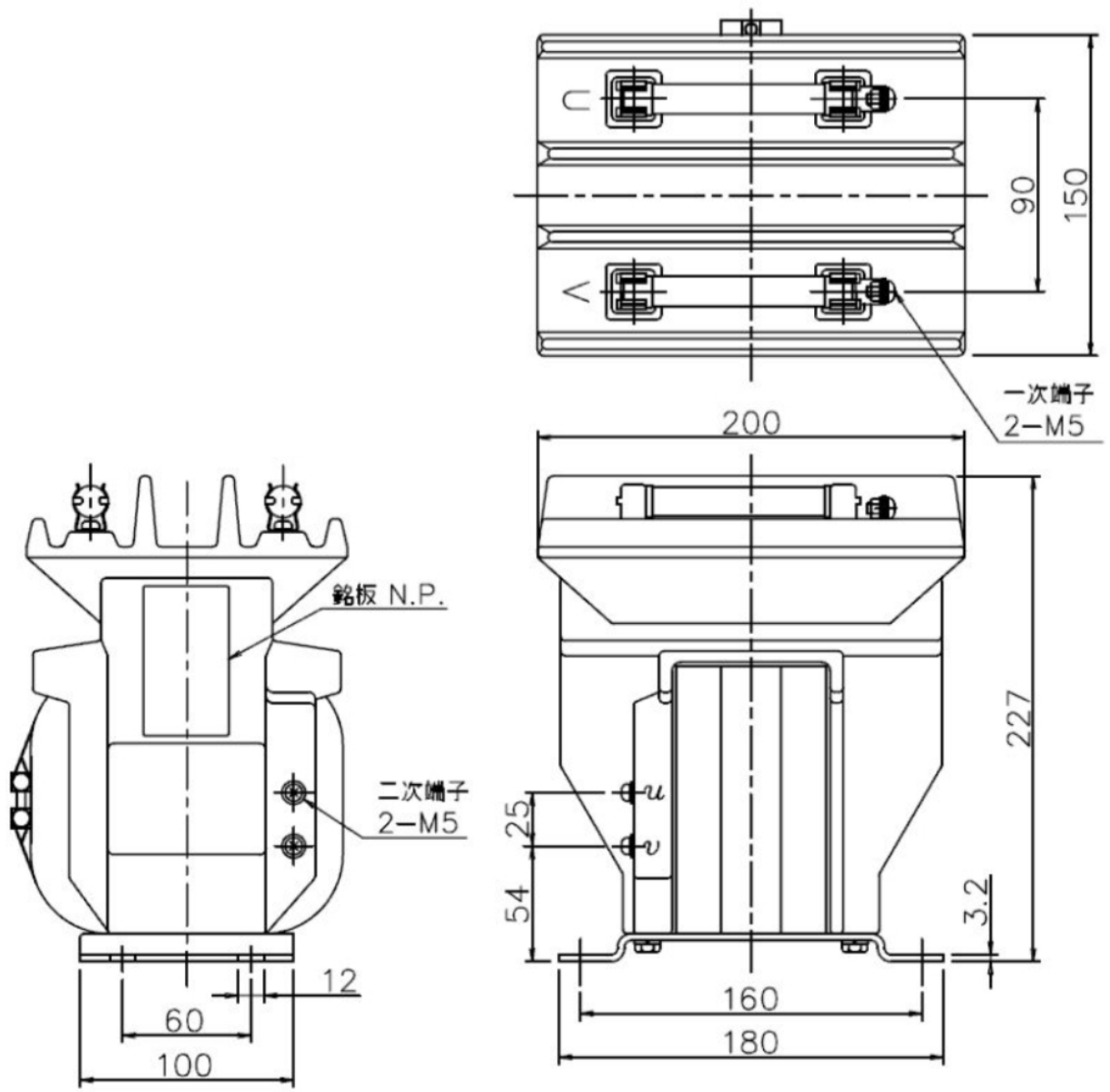




▲ RP-611N



▲ RP-612N / RP-612ND



▲ RP-613N