

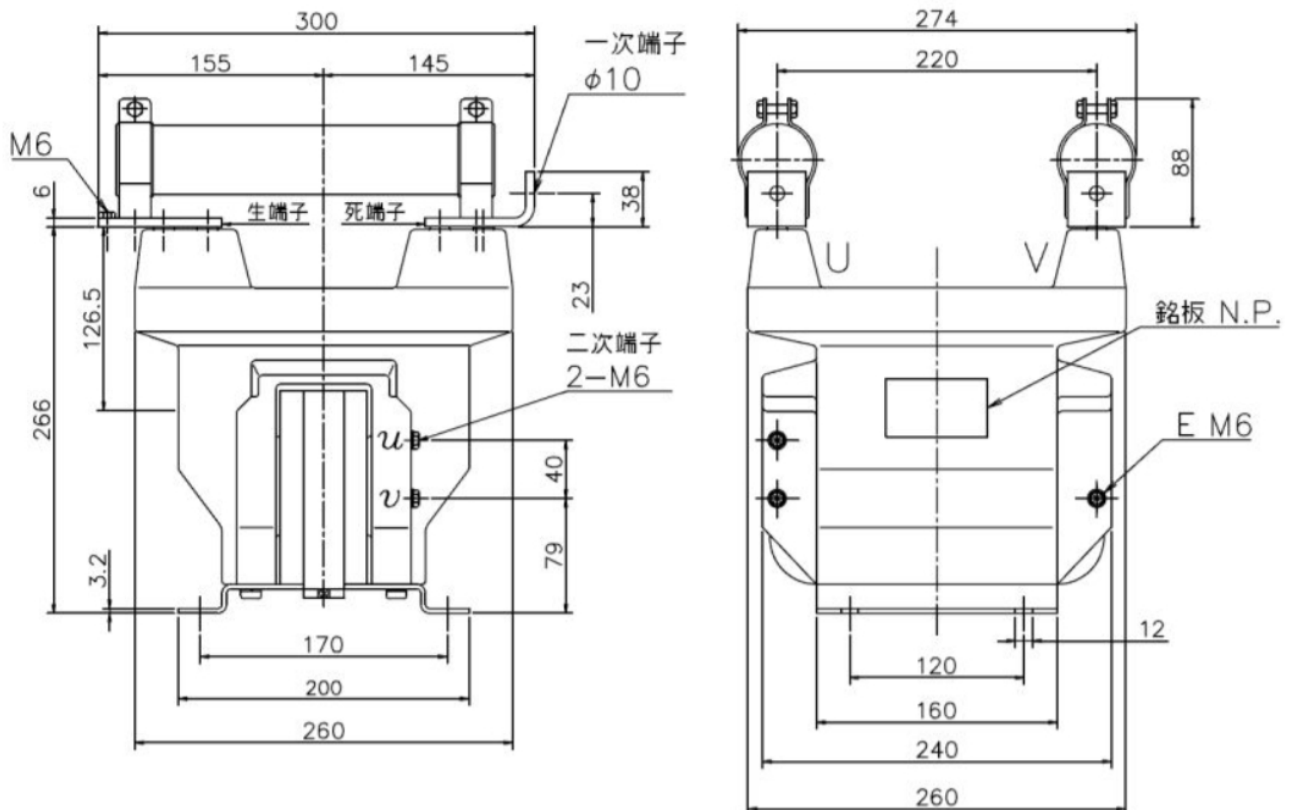
## Instrument voltage transformer RP-172M / RT-157

- Single phase / Unearthed
- For metering / Protection
- Indoor use

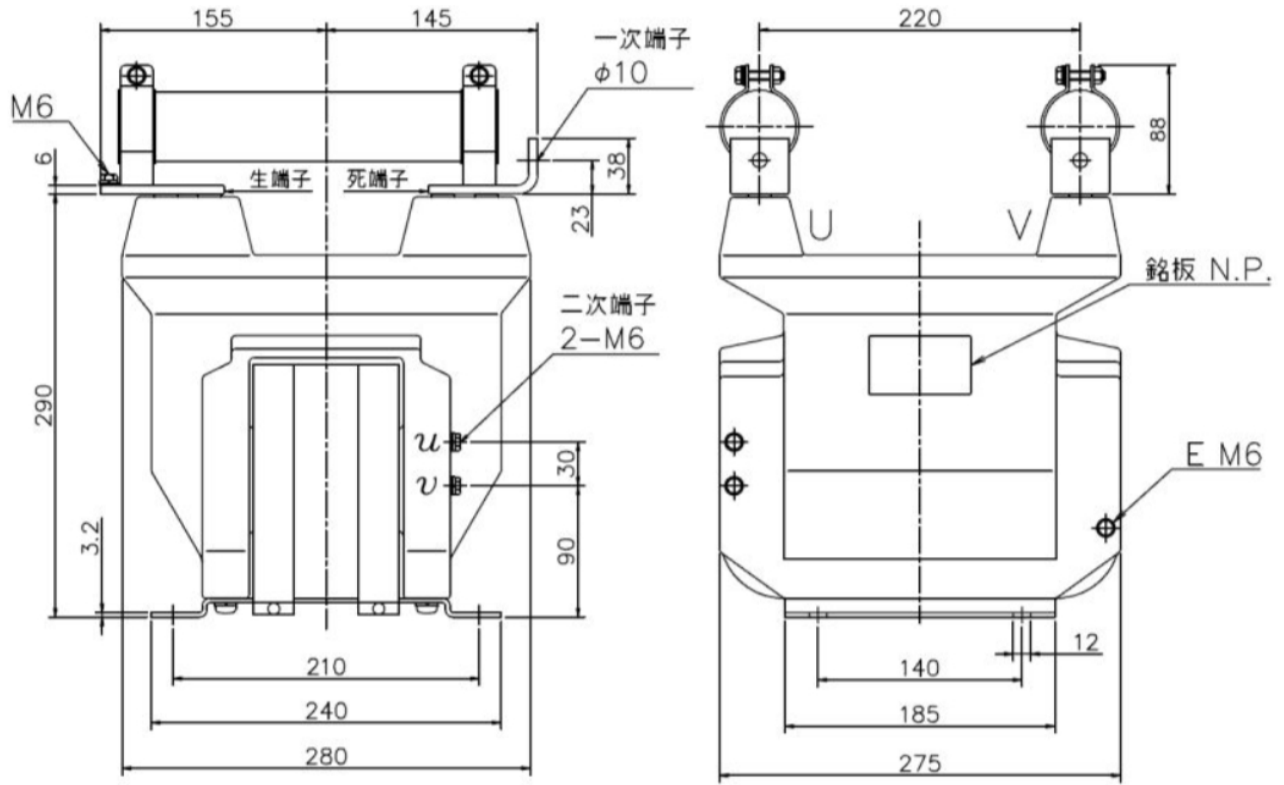


Type	Ratio	Insulation level	Over voltage factor	Applicable standard of production	
				IEC-186	IEC 60044-2 IEC 61869-3
RP-172M	11000 / 110V	12 / 28 / 75	1.2 (Continuous)	200VA 1.0	100VA 1.0
RT-157				1000VA 1.0	600VA 1.0

Primary fuse specification			
Type	Rated current	Rated voltage	Breaking current
PL-J	T1A	12kV	40kA



▲ RP-172M



▲ RT-157