

RISHOCAST

Instrument voltage transformer RTG-3-S / RTG-6-S

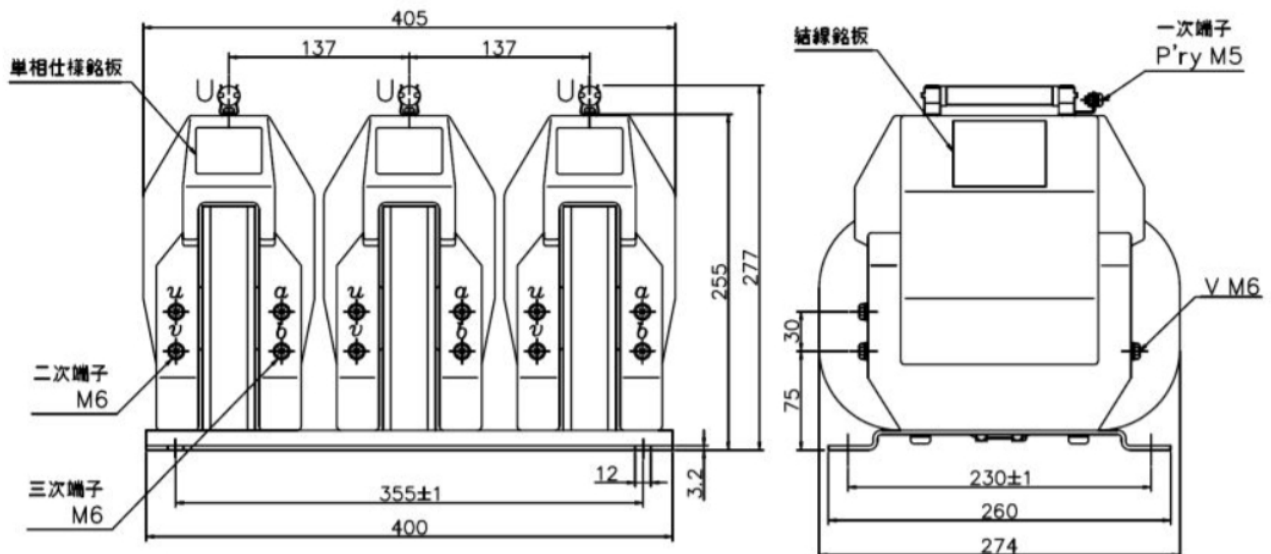
- Single phase / Earthed
- For metering / Protection
- Indoor use



Type	Ratio (V)	Insulation level	Over voltage factor	Applicable standard of production	
				IEC-186	IEC 60044-2 IEC 61869-3
RTG-3-S	$\frac{3300}{\sqrt{3}} / \frac{110}{\sqrt{3}} / \frac{110}{3} \left(\frac{190}{3} \right)$	7.2 / 20 / 60	1.2 (Continuous) 1.9 (30s)	200 / 200VA 1.0 / 3P	—
RTG-6-S	$\frac{6600}{\sqrt{3}} / \frac{110}{\sqrt{3}} / \frac{110}{3} \left(\frac{190}{3} \right)$				

Primary fuse specification			
Type	Rated current	Rated voltage	Breaking current
PL-G	T1A	7.2 / 3.6kV	40kA

EVTs shall be disconnected from circuit of switchboard for withstand voltage test



Connection diagram

