

RISHOCAST

Instrument voltage transformer RPG-613N

- Single phase / Earthed
- For metering / Protection
- Indoor use

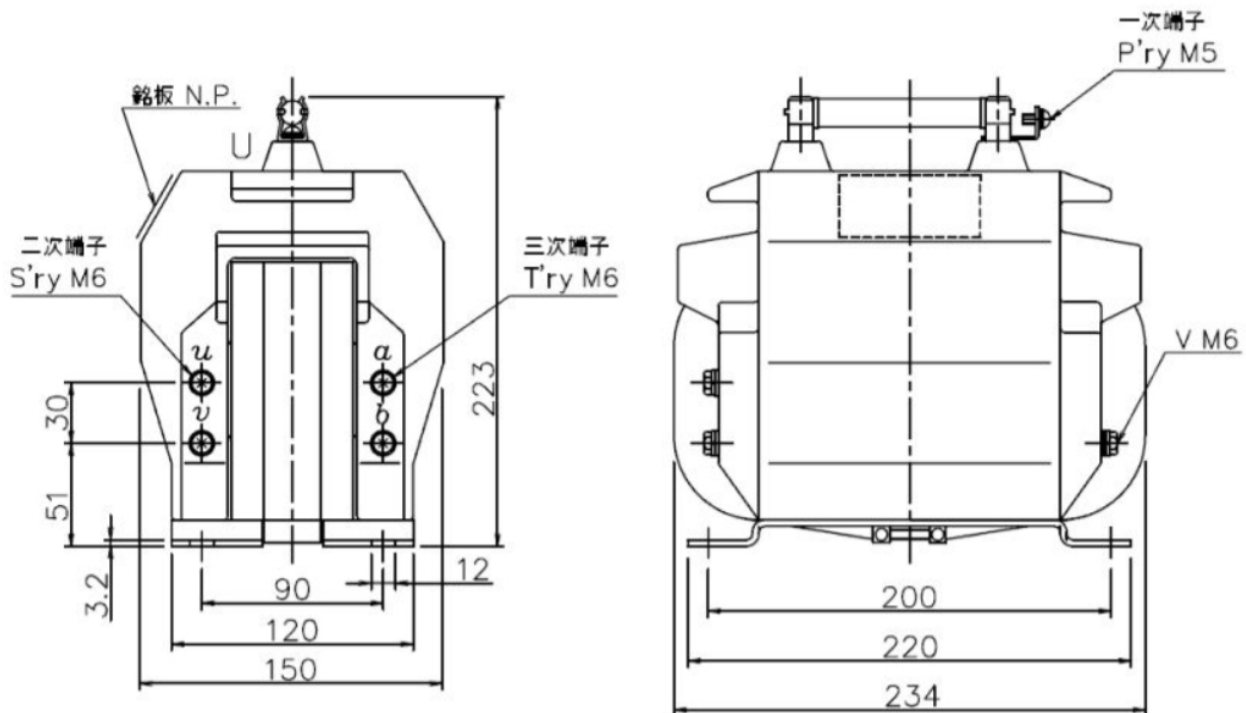


Type	Ratio (V)	Insulation level	Over voltage factor	Applicable standard of production	
				IEC-186	IEC 60044-2 IEC 61869-3
RPG-613N	$\frac{3300}{\sqrt{3}} / \frac{110}{\sqrt{3}} / \frac{110}{3} \left(\frac{190}{3} \right)$ $\frac{6600}{\sqrt{3}} / \frac{110}{\sqrt{3}} / \frac{110}{3} \left(\frac{190}{3} \right)$	7.2 / 20 / 60	1.2 (Continuous) 1.9 (30s)	200 / 200VA 1.0 / 3P	—

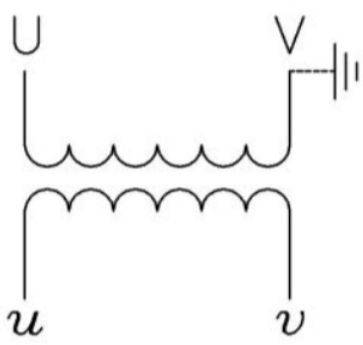
Primary fuse specification

Type	Rated current	Rated voltage	Breaking current
PL-G	T1A	7.2 / 3.6kV	40kA

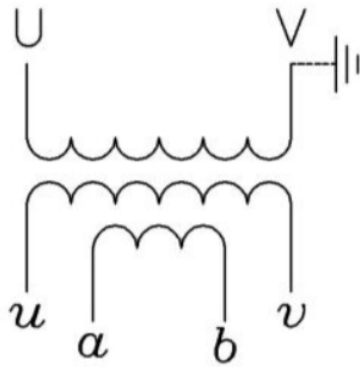
EVTs shall be disconnected from circuit of switchboard for withstand voltage test



Connection diagram



Secondary only



With tertiary