

RISHOCAST

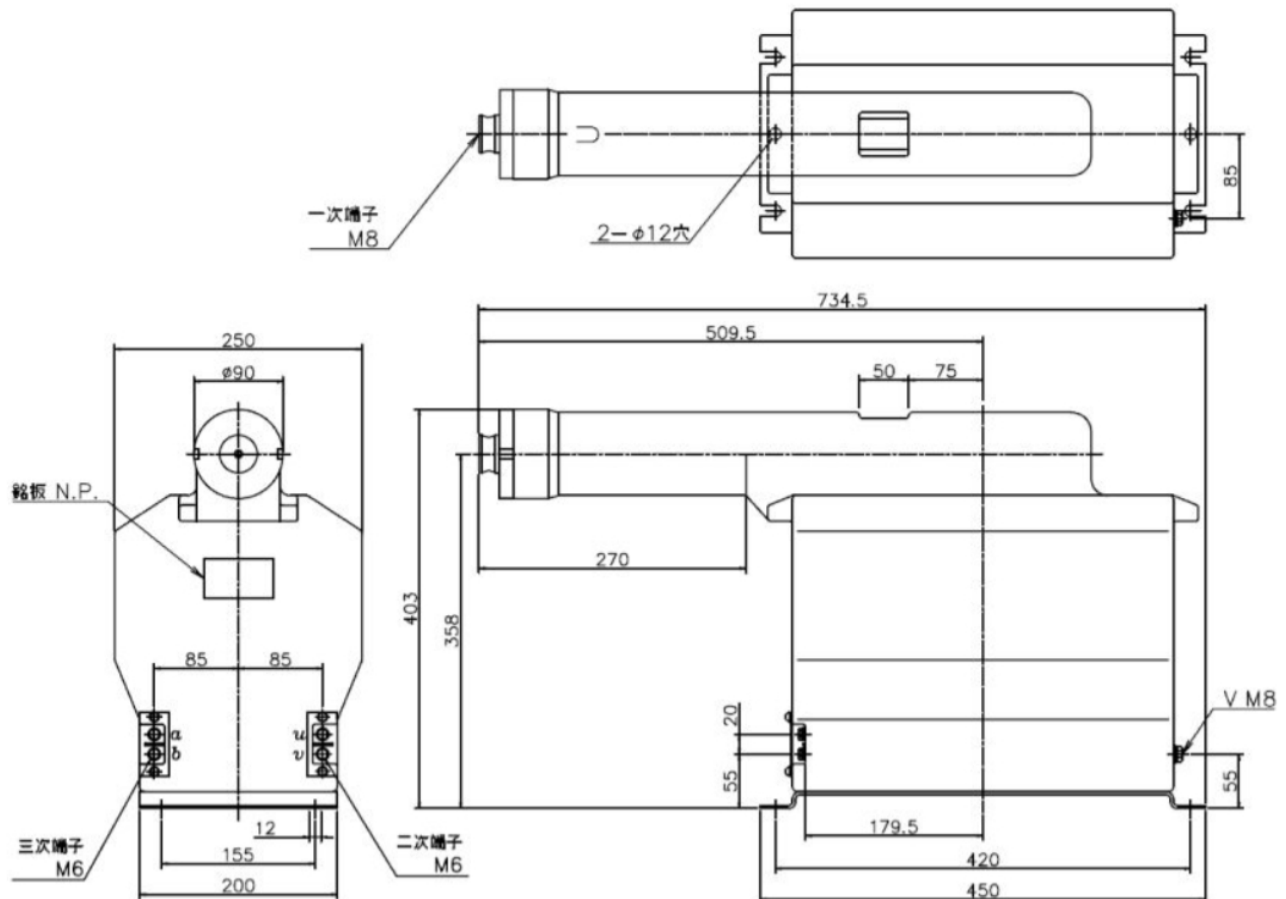
Instrument voltage transformer RPG-F56

- Single phase / Earthed
- For Metering / Protection
- Indoor use

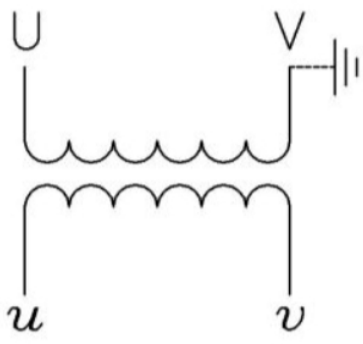


Type	Ratio	Insulation level	Over voltage factor	Applicable standard of production	
				IEC-186	IEC 60044-2 IEC 61869-3
RPG-F56	$\frac{33000}{\sqrt{3}} / \frac{110}{\sqrt{3}} / \frac{110}{3} \left(\frac{190}{3} \right)$	36 / 70 / 170	1.2 (Continuous) 1.9 (30s)	200 / 200VA 1.0 / 3P	—

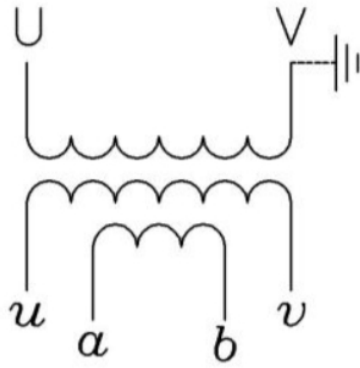
EVTs shall be disconnected from circuit of switchboard for withstand voltage test



Connection diagram



Secondary only



With tertiary