

Instrument voltage transformer RPG-2013

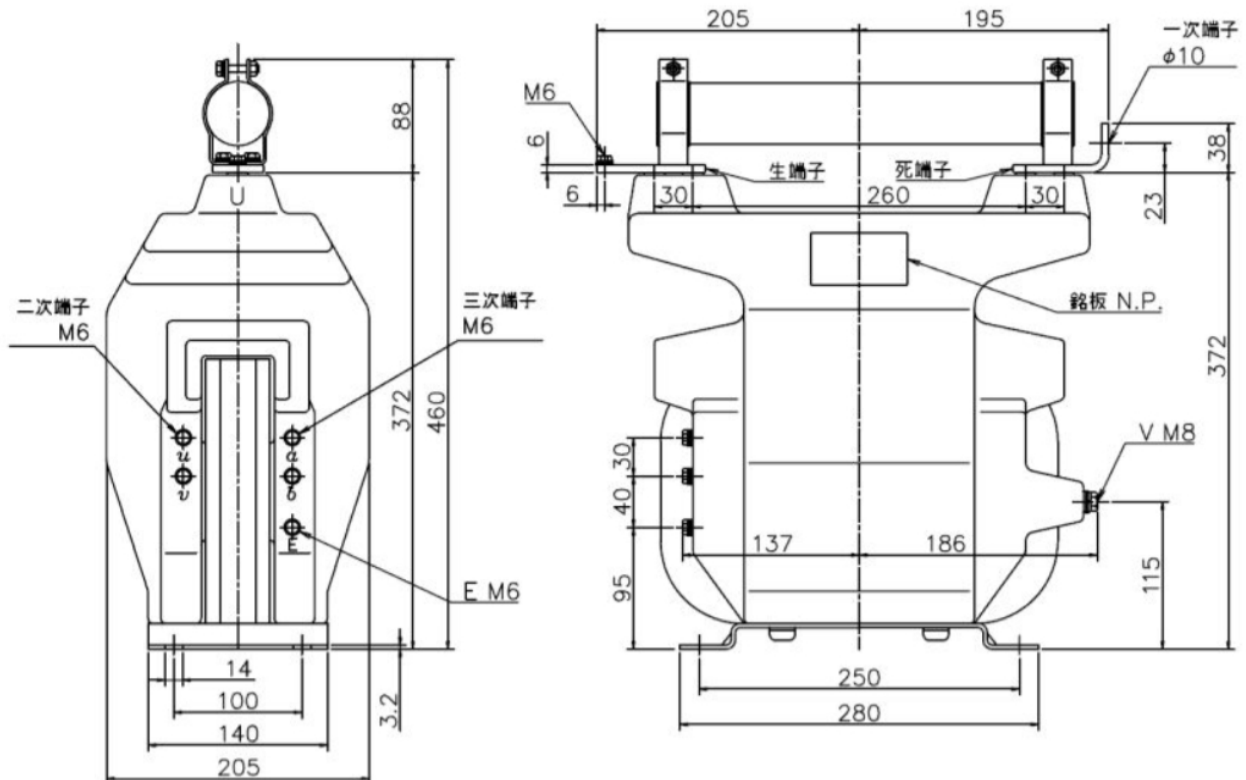
- Single phase / Earthed
- For Metering / Protection
- Indoor use



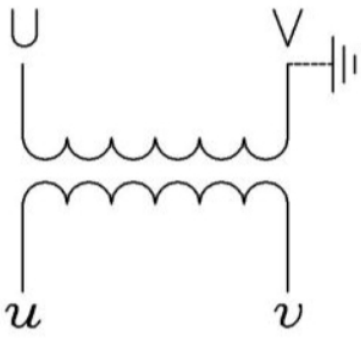
Type	Ratio (V)	Insulation level	Over voltage factor	Applicable standard of production	
				IEC-186	IEC 60044-2 IEC 61869-3
RPG-2013	$\frac{22000}{\sqrt{3}} / \frac{110}{\sqrt{3}} / \frac{110}{3} \left(\frac{190}{3} \right)$	24 / 50 / 125	1.2 (Continuous) 1.9 (30s)	200 / 200VA 1.0 / 3P	—

Primary fuse specification			
Type	Rated current	Rated voltage	Breaking current
PL-J	T1A	24kV	40kA

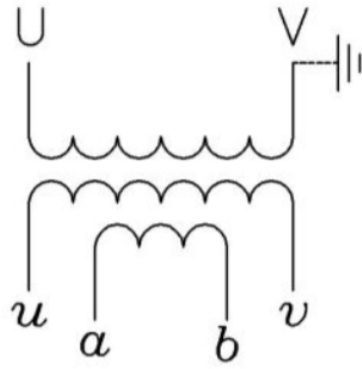
EVTs shall be disconnected from circuit of switchboard for withstand voltage test



Connection diagram



Secondary only



With tertiary